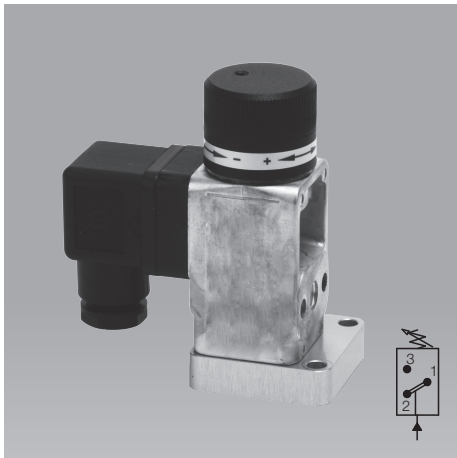


Pressure Switch

hydro-electric signal converter

pressure range 5–130 bar / 50–350 bar and 50–550 bar



Application

Hydro-electric pressure switches are devices, which close or open electrical contacts under pressure. They are used to switch on or off pump motors, valves for unpressurised cycles, for pressure-dependent machine tool interlock or similar applications in power units, machines and installations.

Description

Hydro-electric pressure switches in piston design convert the pressure in hydraulic systems into electrical signals. The switching point can be continuously adjusted and locked by means of an adjusting knob within different adjusting ranges.

The installed microswitch is a change-over switch which can be connected as break or make contact.

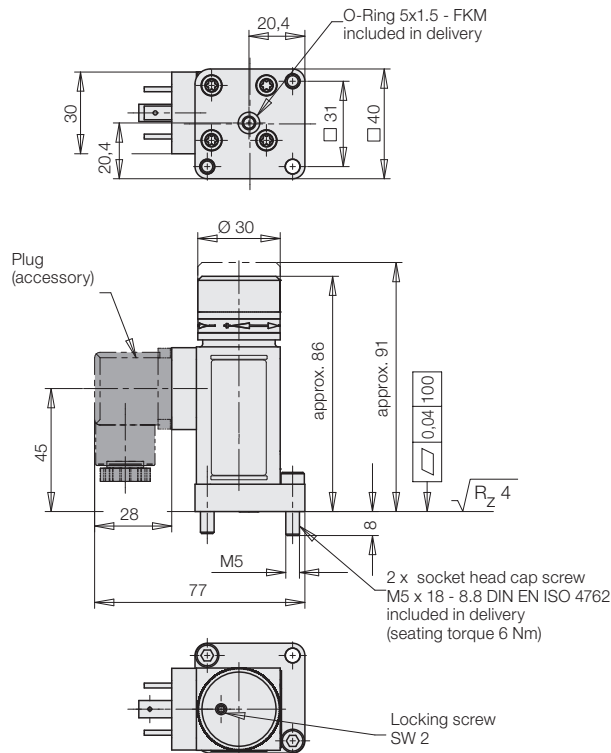
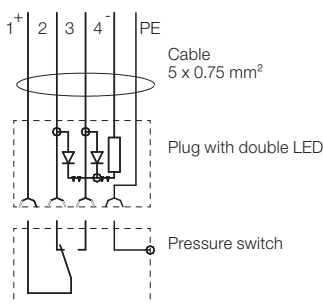
The electrical connection can be rotated by 4 x 90° with the housing.

The pressure switches are designed for industrial use with normal environmental conditions for installations with a maximum system pressure of up to 600 bar.

Switching symbol

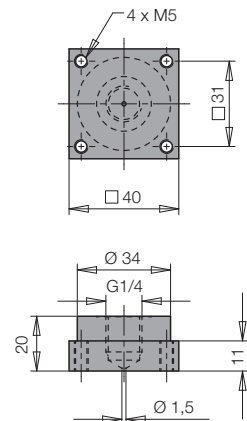
Plug with double LED

Part no. 3141802



Accessory

Connecting plate
Part no. 3534051



Contact layout

Hydraulic data

Pressure adjusting range	50–550 bar	50–350 bar	5–130 bar
Hysteresis	8 ... 12 % at 500 ... 250 bar	8 ... 12 % at 300 ... 100 bar	8 ... 12 % at 100 ... 30 bar
Part no.	9730500	9730501	9730502

Electrical data

Connection	Plug DIN 43650, form A
Switching element	change-over switch
Max. load	4 A at 250 V AC; max 3.0 A at 28 V DC; min. 5 mA
Code class (EN 60529)	IP 65

Technical data

Operating fluid	Hydraulic oil HLP22, 32 and 46 (other media – please contact us)
Fluid temperature	max. 80 °C
Fluid connection	manifold-mounting or G1/4 with accessory connecting plate
Environmental temperature	-10 °C to +80 °C
Max. operating pressure	600 bar
Vibration resistance	10 g (10 ... 2000 Hz)
Shock resistance	30 g
Material	Cylinder body: zinc diecasting Adjusting cap: aluminium (powder coated)
Sealings	FKM
Weight	0.325 kg
Mounting position	any

Accessory

Accessory	Part no.
Connecting plate	3534051
Plug DIN 43650, plug insert 4 x 90° rotatable	3141012
Plug with cable 0.6 m	3141928
Plug with cable 2.5 m	3141818
Plug with double LED and cable 3 m	3141802
Spare O-ring 5 x 1.5 – FKM	3001147